

# L-GATE Gateway

## LGATE-900

Datasheet #89021405

- ✓ BACnet
- Modbus
- ✓ CEA-709
- M-Bus
- KNX
- ✓ OPC

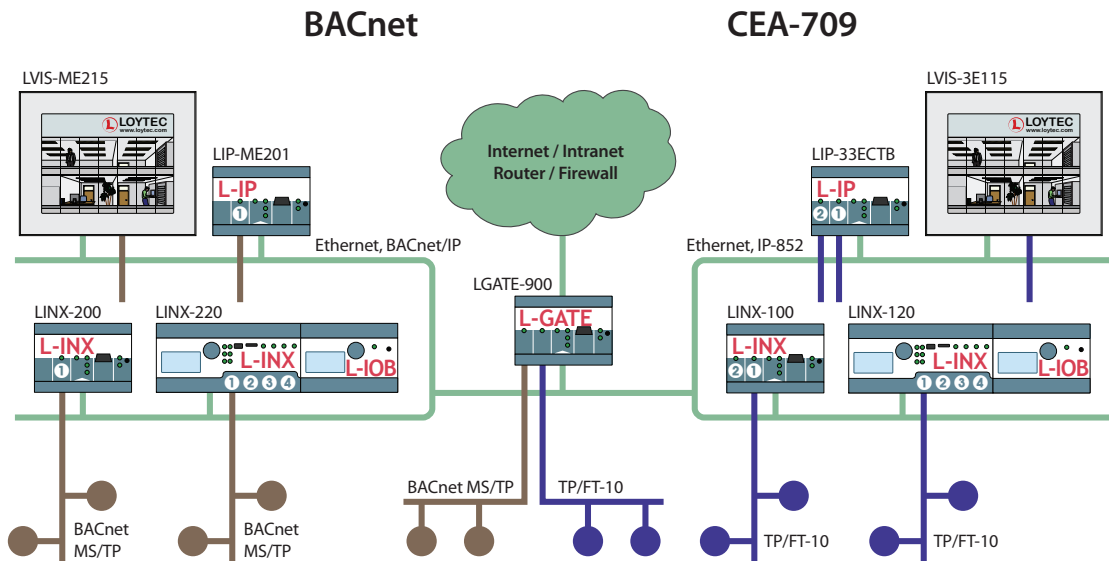


The LGATE-900 Gateway is a powerful gateway to interconnect data points from LonMark Systems (CEA-709) with BACnet data points.

LonMark Systems can be integrated via IP-852 (Ethernet/IP) or TP/FT-10. BACnet integration is supported through BACnet/IP (Ethernet/IP) or BACnet MS/TP (RS-485). The LGATE-900 implements the BACnet Building Controller (B-BC) profile and is BTL tested and WSPcert certified.

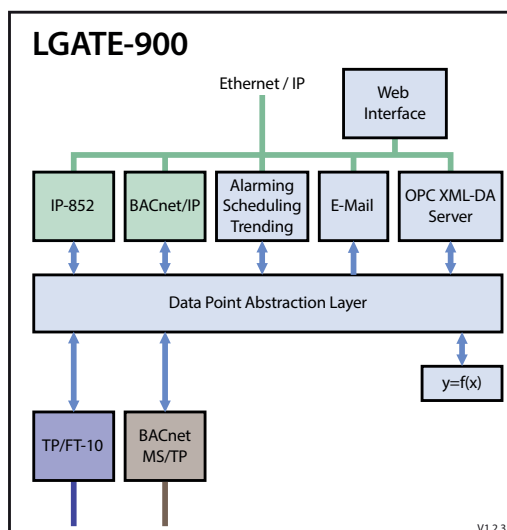
The gateway functionality is realized through connections that connect Network Variables or even Configuration Properties from the LonMark System to BACnet server objects or client maps on the BACnet side. Data points hosted on the L-GATE are mapped through Local Connections on the device. The mapping of data points on distributed devices is supported by Global Connections. The L-GATE also supports Smart Auto-Connect™ – the automatic generation of connections to substantially reduce engineering efforts and cost. Optionally, mathematical objects can be applied within a connection to calculate the data point output values depending on the formula used. All technology data points are automatically created as OPC XML-DA data points.

The L-GATE devices provide fully featured AST™ functionality (Alarming, Scheduling, and Trending) and can be integrated perfectly into the L-WEB System.



### Features

- Interconnection of BACnet with LonMark Systems
- Supports TP/FT-10 or IP-852 (Ethernet/IP)
- Automatic mapping of network variables to BACnet objects in accordance with CEN/TS 15231:2005
- Support of dynamically created and static NVs
- Compliant with ANSI/ASHRAE-135-2008 and ISO 16484-5 standard
- Support of user-defined NVs (UNVTs) and Configuration Properties (SCPTs, UCPTs)
- B-BC (BACnet Building Controller) functionality, BTL certified
- Math objects to execute mathematical operations on data points
- Supports BBMD (BACnet Broadcast Management Device)
- Alarming, Scheduling, and Trending (AST™)
- Supports BACnet MS/TP or BACnet/IP
- Event-driven e-mail notification
- BACnet Client Function (Write Property, Read Property, COV Subscription)
- Built-in OPC XML-DA server
- BACnet Client Configuration with configuration tool (scan and EDE import)
- Integrated web server for device configuration and monitoring data points
- Compliant with CEA-709, CEA-852, and ISO/IEC 14908 Standard (LonMark System)
- Configurable via Ethernet/IP or TP/FT-10



**Specifications**

Dimensions (mm)	107 x 100 x 60 (L x W x H), DIM009
Installation	DIN rail mounting following DIN 43880, top hat rail EN 50022
Power supply	12-35 VDC / 12-24 VAC ±10 %, typ. 3 W
Operating conditions	0 °C to 50 °C, 10 – 90 % RH @ 50 °C, non condensing, degree of protection: IP40, IP20 (terminals)
Interfaces	1 x Ethernet (100Base-T) OPC XML-DA LonMark IP-852**, BACnet/IP*, HTTP, FTP 1 x TP/FT-10** (LonMark System) 1 x BACnet MS/TP* * Either BACnet/IP or BACnet MS/TP ** Either LonMark IP-852 or TP/FT-10
Tools	L-INX/L-GATE Configurator

**Resource limits**

Total number of data points	10 000	BACnet objects	750 (analog, binary, multi-state)
OPC data points	500	BACnet client mappings	750
CEA-709 Network variables NVs	1 000	BACnet calendar objects	25
CEA-709 Alias NVs	1 000	BACnet scheduler objects	100 (64 data points per object)
CEA-709 External NVs (polling)	1 000	BACnet notification classes	32
CEA-709 address table entries	512 (non-ECS mode: 15)	Trend logs (BACnet or generic)	256 (130 000 entries, ≈ 2 MB)
CEA-709 LonMark Calendars	1 (25 calendar patterns)	Total trended data points	256
CEA-709 LonMark Schedulers	100	Math objects	100
CEA-709 LonMark Alarm Servers	1	Alarm logs	10
E-mail templates	100	Connections (Local / Global)	1 000 / 250

**Order number      Product description**

LGATE-900	CEA-709 / BACnet Gateway
LPOW-2415B	Power supply unit with power connector 24 VDC, 15 W