



The LOY-SPE2 is a dual SPE (Single-Pair-Ethernet) converter. It contains two independent Ethernet (10BASE-T) to SPE (10BASE-T1L, IEEE 802.3cg) converters.

On the SPE side, devices up to 1000 m away can be connected, depending on the cable quality. The transfer rate of 10 Mbit/s allows to connect control gear in remote places while still having reasonable transfer speeds. The converter does not need any manual configuration due to its auto negotiation capabilities on both, Ethernet and SPE.

The LOY-SPE2 is well suited for:

- Retrofit applications: Reuse existing single-pair wires for modern control devices.
- Remote sites: Extend an existing network by up to 1000 m.

With the LOY-SPE2, it is easily possible to reuse existing cables for modern IP-based controllers without requiring expensive cabling.

Features

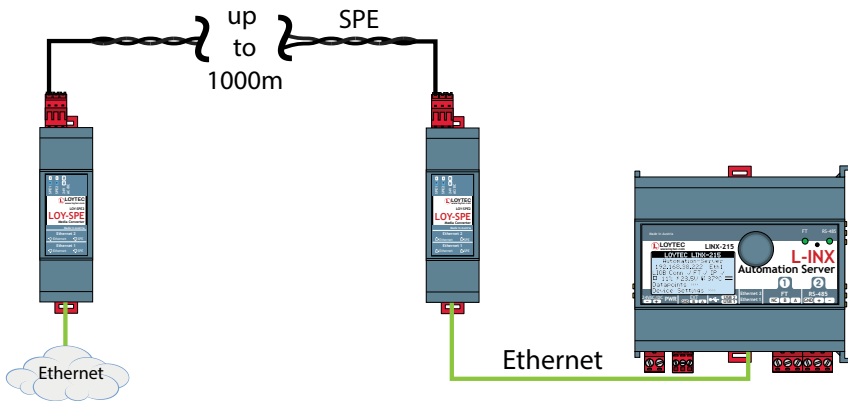
- Dual SPE (Single-Pair-Ethernet, 10BASE-T1L, IEEE 802.3cg) to Ethernet (10BASE-T) converter/interface
- Plug and Play (Auto negotiation on SPE & Ethernet side)
- SPE cable length up to 1000 m (depending on cable quality).
- Connection type (SPE): Point-to-Point

Specifications

Dimensions (mm)	27 x 89 x 60 (L x W x H), DIM084
Installation	DIN rail mounting following DIN 43880, top hat rail EN 50022
Power supply	24 V DC / V AC SELV ±10 % via LPOW-2415B, or with an external power supply
Power consumption	1.2 W
Operating conditions	0 °C to 50 °C, 10–90 % RH, noncondensing, degree of protection: IP40, IP20 (terminals)

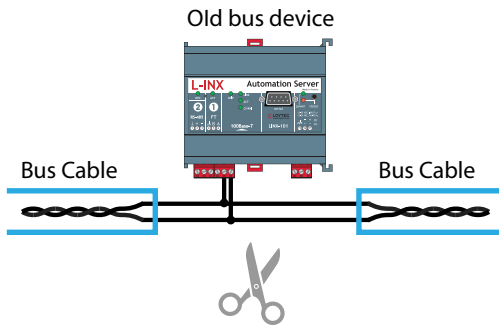
LOY-SPE2

Use Case 1: Remote device

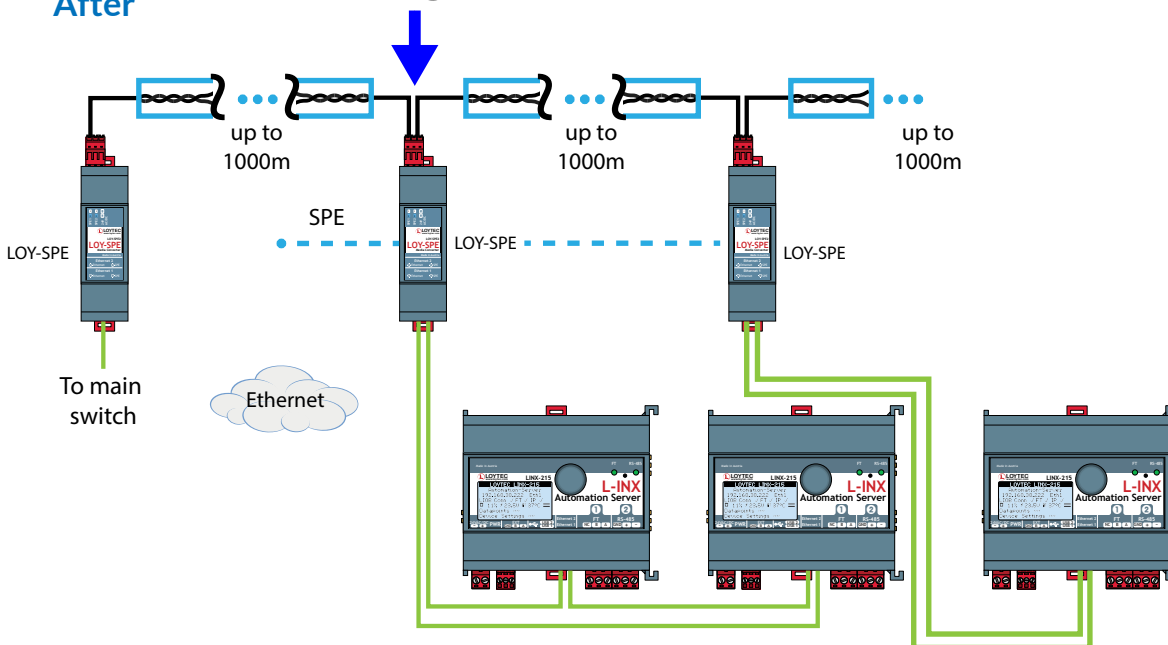


Use Case 2: Reuse existing single pair bus

Before



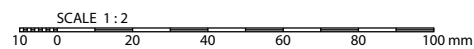
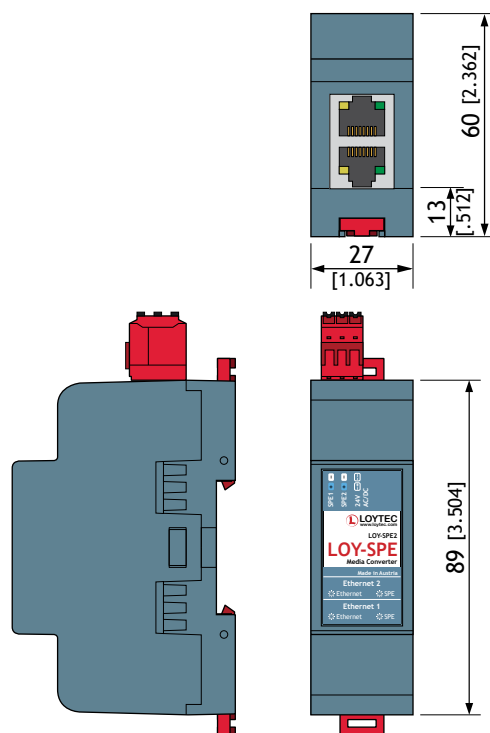
After



Order number	Product description
LOY-SPE2	Dual Single-Pair-Ethernet Converter

Dimensions of the devices in mm and [inch]

DIM084 LOY-SPE2



The products of LOYTEC electronics GmbH are subject to constant development. Therefore, LOYTEC reserves the right to modify technical specifications at any time without prior notice. The most recent datasheet can be downloaded from www.loytec.com.