



L-VIS Touch Panels for LonMark Systems are ideally suited for visualization and operation of various applications in building automation. L-VIS Touch Panels visualize building systems, can be used as room operator panels, in hospital operation or isolation rooms, conference and reception areas. The fully customizable user screens can show dynamic pages that are easy to navigate. L-VIS Touch Panels make use of an extremely low power embedded controller platform and operating system. This makes L-VIS resistant against problems when re-booting after power outage and also against any viruses.

L-VIS impresses with its timeless design, harmonic integration into modern and historical architecture, and with its extremely user friendly concept. The shallow installation depth and low thermal power loss allow mounting in almost any location.

Dynamic Graphical Pages

The graphical pages may consist of multiple dynamic graphical controls that show the current plant status in real time. It is also possible to access decentralized schedules, alarm servers, or trends. The graphical projects are designed with the L-VIS/L-WEB configuration tool free of charge. Without any know-how in HTML or Java, user specific graphical pages can be created. Dynamic information is shown through value or text controls, changing symbols, bar charts, trend views, alarm and event lists, or schedule controls. The L-VIS/L-WEB configuration tool allows for using most of the pixel graphic formats (GIF, JPG, BMP, TIFF, PNG, MNG, ICO), vector graphics (SVG) and alpha blending.

Automatic Page Generation

Pages including data point names and values, alarm views, schedules, or trends can be created automatically by the L-VIS/L-WEB configuration tool. This significantly reduces engineering time and cost.

Connectivity and Data Points

The L-VIS Touch Panels support connectivity to LonMark IP-852 (Ethernet/IP) or TP/FT-10 channels. The integrated remote network interface (Ethernet/IP) provides remote access to the device TP/FT-10 channel for configuration, service and maintenance purposes. In addition, the L-VIS Touch Panels provide connectivity to Modbus TCP via Ethernet/IP.

Math objects can calculate any kind of formula using data points available on the device. The resulting data point value can then be either shown on the page or provided via an output Network Variable. Network Variables are automatically mapped to OPC XML-DA data points that can be accessed via web services.

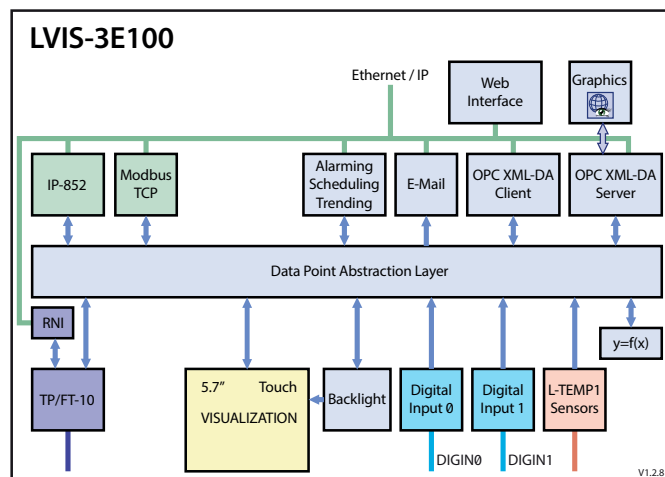
The L-VIS Touch Panels provide fully featured AST™ functionality (Alarming, Scheduling, and Trending) and can be integrated perfectly into the L-WEB Building Management System.

L-VIS Touch Panel

LVIS-3E100

Features

- High resolution TFT touch display with dimmable backlight
- Anodized aluminium front frame
- Flush-mounting in combination with the mounting frame
- Stores customized graphical pages
- Visualization of customized graphical pages through built-in touch panel, LWEB-900 (building management), and LWEB-802/803
- Device configuration and graphical page creation with the L-VIS/L-WEB configuration tool free of charge
- Supports all popular graphic file formats such as GIF, JPG, BMP, TIFF, PNG, MNG, ICO
- Support of SVG vector graphics
- Supports alpha blending
- Supports popular font types such as TrueType, Type-1, BDF, PCF, and OTF
- Supports Unicode text
- Built-in OPC XML-DA server
- Built-in OPC XML-DA client
- Alarming, Scheduling, and Trending (AST™)
- Event-driven e-mail notification
- Math objects to execute mathematical operations on data points
- Compliant with CEA-709, CEA-852, and ISO/IEC 14908 Standard (LonMark System)
- Supports TP/FT-10 or IP-852 (Ethernet/IP)
- Support of dynamically created network variables or static network variables
- Support of user-defined NVs (UNVTs) and Configuration Properties (SCPTs, UCPTs)
- Remote Network Interface (RNI) with 2 MNI devices
- Modbus TCP (Master or Slave)
- Integrated web server for device configuration and monitoring data points
- Access to network statistics
- Configurable via Ethernet/IP or TP/FT-10



Specifications

Type	LVIS-3E100
Screen size	5.7" (145 mm)
Dimensions (mm)	210 x 164 x 63 (LxWxH), DIM001
Dimensions cut-out (mm)	180 x 150 x 57 (LxWxH)
Display resolution	320 x 240, 256 colors
Interfaces	1 x Ethernet (100Base-T): OPC XML-DA (server, client), LonMark IP-852, HTTP, FTP, SMTP, NTP, VNC, Modbus TCP (Master or Slave) 1 x TP/FT-10 2 x Digital Input 1 x Digital interface for up to 4 L-TEMP1 sensors
Remote Network Interface	1 RNI with 2 MNI devices
Power supply	20-35 VDC / 24 V AC \pm 10 % typ. 3 W, backlight on: 8 W
Operating conditions	+10 °C to 40 °C, 10-90 % RH, non condensing
Degree of protection	Front: IP54 / back: IP10
Tools	L-VIS/L-WEB Configurator

Resource limits

OPC data points	2 000
Modbus data points	2 000
VNC clients	16
Network variables (NVs)	1 000
Alias NVs	1 000
Address table entries	524 (non-ECS mode: 15)
LonMark Calendars	1 (25 calendar patterns)
LonMark Schedulers	100
LonMark Alarm Servers	1
E-mail templates	100
Math objects	500
Alarm logs	20
Trend logs	100 (390 000 entries, \approx 6 MB)
Total trended data points	256
Connections (Local/Global)	1 000/250
Number of L-WEB clients	15 (simultaneously)

Order number Product description

LVIS-3E100	CEA-709 Touch Panel with 5.7" display (Aluminium frame with anodized finish)
LVIS-FRAME1	Mounting frame for 5.7" Touch Panels
L-TEMP1	External temperature sensor