

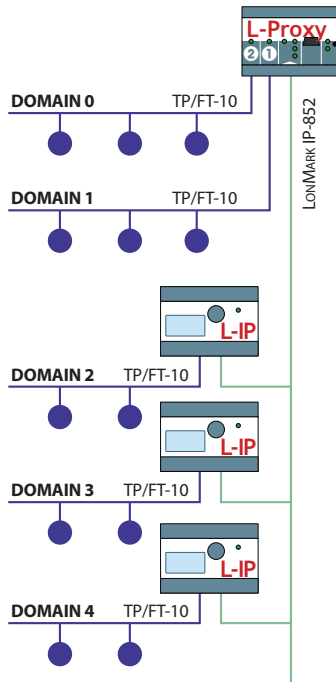
L-Proxy CEA-709 Multiport Gateway

LP-33E100

Datasheet #89012818

BACnet
✓ CEA-709
KNX

Modbus
M-Bus
OPC



The L-Proxy Multiport Gateway exchanges data packets across domain boundaries in LonMark Systems. Network variables or configuration properties are used to transfer data. L-Proxy represents up to five independent network nodes (one on each TP/FT-10 channel and up to three on the IP-852 channel). Every L-Proxy node can be configured in different domains and therefore in different LNS® databases. Individually created input and output network variables or configuration properties on every L-Proxy node are connected internally between the L-Proxy nodes with a configuration tool supplied with the unit.

L-Proxy is the perfect solution for data exchange between independent LonMark Systems. Whether different phases of construction, different systems, or expanded networks with multiple LNS® databases – L-Proxy connects. L-Proxy allows to share common data (e.g. from a weather station) across network boundaries.

Network Communication

L-Proxy can be connected to an Ethernet/IP channel (LonMark IP-852) and to TP/FT-10 channels. Static and dynamic NVs form the interface. In addition to SNVTs, User Defined NVs (UNVTs) and Configuration Properties (SCPTs, UCPTs) are supported.

Features

- Compliant with CEA-709, CEA-852, and ISO/IEC 14908-1 standard (LonMark System)
- Supports TP/FT-10 or IP-852 (CEA-852 Ethernet)
- Data exchange via network variables across multiple domains
- Extends the address tables of Neuron® Chip based nodes
- Support of dynamically created network variables or static network variables
- Support of user defined NVs (UNVTs) and configuration properties (SCPTs, UCPTs)
- Represents up to five independent network nodes
- Configuration tool usable with and without LNS®

Specifications

Dimensions (mm)	107 x 100 x 60 (L x W x H), DIM009		
Installation	DIN rail mounting following DIN 43880, top hat rail EN 50022		
Power supply	12-35 VDC / 12-24 VAC ±10 %, typ. 3 W		
Operating conditions	0 °C to 50 °C, 10 – 90 % RH, non condensing, degree of protection: IP40, IP20 (terminals)		
Interfaces	1 x Ethernet (100Base-T): LonMark IP-852, HTTP, FTP 2 x TP/FT-10 (LonMark System)		
Tools	L-Proxy Configurator		

Resource limits

Network variables NVs	512 per L-Proxy node	External NVs (polling)	512 per L-Proxy node
Alias NVs	512 per L-Proxy node	Address table entries	512 (non-ECS mode: 15)

Order number

Product description

LP-33E100	L-Proxy CEA-709 Multiport Gateway		
-----------	-----------------------------------	--	--