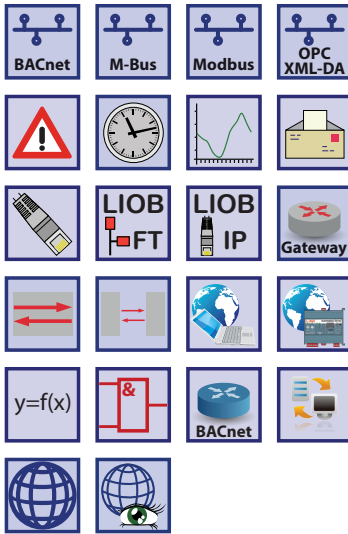


✓ BACnet
CEA-709
KNX

✓ Modbus
✓ M-Bus
✓ OPC



Datasheet #89016504



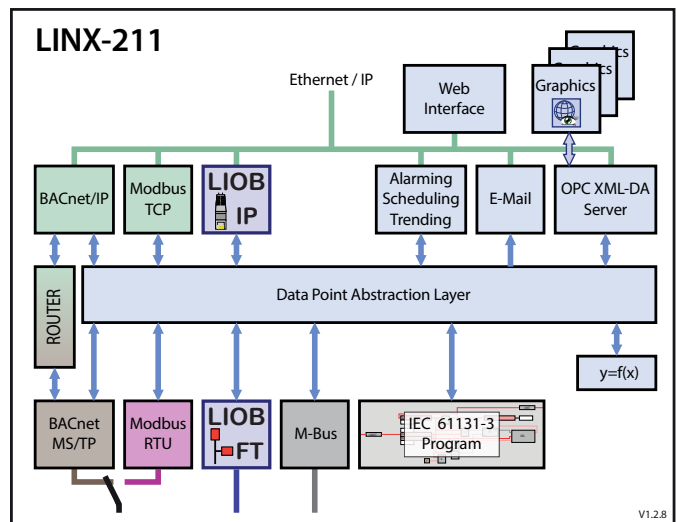
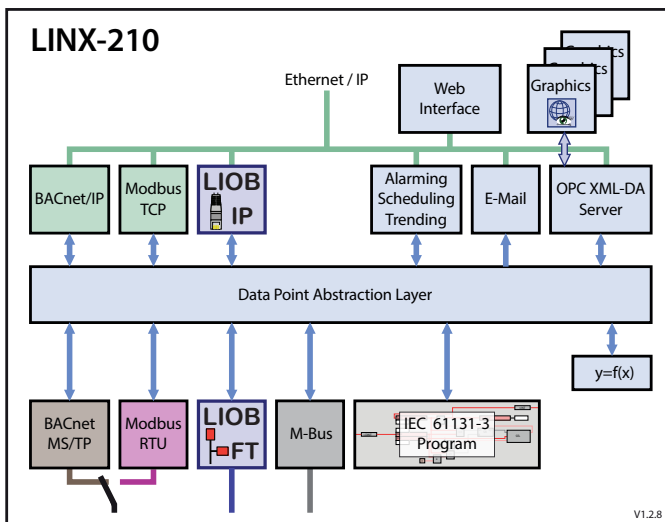
The L-INX Automation Servers LINX-210 and LINX-211 are programmable automation stations. They can host user specific graphical pages and can integrate physical I/Os through L-IOB I/O Modules via LIOB-FT or LIOB-IP.

The Automation Servers provide connectivity functions to concurrently integrate BACnet, Modbus, and M-Bus subsystems. BACnet integration is supported through BACnet/IP (Ethernet/IP) or BACnet MS/TP (RS-485). LINX-211 Automation Servers feature a built-in BACnet/IP to MS/TP router including BBMD as well as Slave-Proxy functionality providing the complete feature set of the corresponding L-IP device.

Both LINX-210 and LINX-211 implement the BACnet Building Controller (B-BC) profile and are BTL tested and WSPcert certified. In addition, the L-INX Automation Servers provide connectivity to Modbus TCP via Ethernet/IP and to Modbus RTU via RS-485. M-Bus device integration needs an optional interface module.

The gateway functionality allows data communication between all communication technologies available on the device. Different technology data points are mapped through Local Connections on the device. The mapping of different technology data points on distributed devices is supported by Global Connections. L-INX Automation Servers also support Smart Auto-Connect™ – the automatic generation of connections to substantially reduce engineering efforts and cost. All technology data points are automatically created as OPC XML-DA data points.

The L-INX devices provide fully featured AST™ functionality (Alarming, Scheduling, and Trending) and can be integrated perfectly into the L-WEB System.



Features

- IEC 61131-3 programmable with L-LOGICAD
- Extension with physical inputs and outputs using L-IOB I/O Modules (LIOB-FT or LIOB-BIP)
- Alarming, Scheduling, and Trending (AST™)
- Event-driven e-mail notification
- Math objects to execute mathematical operations on data points
- Stores customized graphical pages
- Visualization of customized graphical pages through LWEB-900 (Building Management), LWEB-803 (Monitoring and Control), or LWEB-802 (Web Browser)

- Built-in OPC XML-DA server
- Access to network statistics
- Compliant with ANSI/ASHRAE-135-2008 and ISO 16484-5 standard
- Supports BACnet MS/TP or BACnet/IP
- BACnet Client Function (Write Property, Read Property, COV Subscription)
- BACnet Client Configuration with configuration tool (scan and EDE import)
- B-BC (BACnet Building Controller) functionality, BTL certified

Functions
L-WEB
L-ROC
L-INX
L-IOB
Gateways
L-VIS
L-DALI
Routers, NIC
Interfaces
Accessories

LINX-210, LINX-211

- Integrated BACnet/IP to BACnet MS/TP Router including BBMD as well as Slave-Proxy functionality (LINX-211 only)
- M-Bus Master according to EN 13757-3, connection via optional M-Bus Converter (L-MBUS20 or L-MBUS80)
- Modbus TCP and Modbus RTU (Master or Slave)
- Gateway functions including Smart Auto-Connect™
- Integrated web server for device configuration and monitoring data points
- Configurable via Ethernet/IP

Specifications													
Dimensions (mm)	107 x 100 x 60 (L x W x H), DIM009												
Installation	DIN rail mounting following DIN 43880, top hat rail EN 50022												
Power supply	12-35 VDC / 12-24 VAC ±10 %, typ. 3 W												
Operating conditions	0 °C to 50 °C, 10 – 90 % RH @ 50 °C, non condensing, degree of protection: IP40, IP20 (terminals)												
Interfaces	<table border="0"> <tr> <td>1 x Ethernet (100Base-T)</td> <td>1 x LIOB-FT</td> </tr> <tr> <td>OPC XML-DA</td> <td>1 x RS-485 (ANSI TIA/EIA-485)</td> </tr> <tr> <td>BACnet/IP*</td> <td>BACnet MS/TP* or</td> </tr> <tr> <td>LIOB-IP</td> <td>Modbus RTU (Master or Slave)</td> </tr> <tr> <td>Modbus TCP (Master or Slave)</td> <td>1 x M-Bus (Master EN 13757-3)</td> </tr> <tr> <td>HTTP, FTP</td> <td>1 x RS-232 (EIA-232)</td> </tr> </table> <p><i>LINX-210: * Either BACnet/IP or BACnet MS/TP</i> <i>LINX-211: * Router between BACnet/IP and BACnet MS/TP</i></p>	1 x Ethernet (100Base-T)	1 x LIOB-FT	OPC XML-DA	1 x RS-485 (ANSI TIA/EIA-485)	BACnet/IP*	BACnet MS/TP* or	LIOB-IP	Modbus RTU (Master or Slave)	Modbus TCP (Master or Slave)	1 x M-Bus (Master EN 13757-3)	HTTP, FTP	1 x RS-232 (EIA-232)
1 x Ethernet (100Base-T)	1 x LIOB-FT												
OPC XML-DA	1 x RS-485 (ANSI TIA/EIA-485)												
BACnet/IP*	BACnet MS/TP* or												
LIOB-IP	Modbus RTU (Master or Slave)												
Modbus TCP (Master or Slave)	1 x M-Bus (Master EN 13757-3)												
HTTP, FTP	1 x RS-232 (EIA-232)												
L-IOB I/O Modules	Up to 8 L-IOB I/O Modules in any combination of type LIOB-FT and LIOB-BIP												
BACnet/IP Router	1 (LINX-211 only)												
Program cycle time	Down to 10 ms												
Programming, Tools	L-LOGICAD software (IEC 61131-3), L-INX/L-GATE Configurator												

Resource limits			
Total number of data points	10 000	E-mail templates	100
OPC XML-DA data points	500	Math objects	100
BACnet objects	750 (analog, binary, multi-state)	Alarm logs	10
BACnet client mappings	750	M-Bus data points	1 000
BACnet calendar objects	25	Number of L-WEB clients	15 (simultaneously)
BACnet scheduler objects	100 (64 data points per object)	Modbus data points	2 000
BACnet notification classes	32	Connections (Local / Global)	1 000 / 250
Trend logs (BACnet or generic)	256 (390 000 entries, ≈ 6 MB)	L-IOB I/O Modules	8 (LIOB-FT or LIOB-BIP)
Total trended data points	256		

Order number	Product description
LINX-210	BACnet Automation Server, B-BC, IEC 61131-3 programmable
LINX-211	BACnet Automation Server, B-BC, IEC 61131-3 programmable, built-in BACnet/IP to MS/TP Router
LINX-START-M	Starter kit: 1 x LINX-11x/21x, 2 x L-IOB I/O Module, 1 x LPOW-2415B, and L-LOGICAD software license
L-LOGICAD-USB	IEC 61131-3 programming tool, single license, includes USB dongle
LIOB-150	LIOB-FT I/O Module: 8 UI, 2 DI, 2 AO, 8 DO (4 x Relay 6 A, 4 x Triac 1 A)
LIOB-151	LIOB-FT I/O Module: 8 UI, 12 DI
LIOB-152	LIOB-FT I/O Module: 6 UI, 6 AO, 8 DO (8 x Relay 6 A)
LIOB-153	LIOB-FT I/O Module: 6 UI, 6 AO, 5 DO (4 x Relay 16 A, 1 x Relay 6 A)
LIOB-154	LIOB-FT I/O Module: 7 UI, 4 AO, 7 DO (5 x Relay 6 A, 2 x Triac 1 A), 1 Pressure Sensor
LIOB-550	LIOB-BIP I/O Module: 8 UI, 2 DI, 2 AO, 8 DO (4 x Relay 6 A, 4 x Triac 1 A)
LIOB-551	LIOB-BIP I/O Module: 8 UI, 12 DI
LIOB-552	LIOB-BIP I/O Module: 6 UI, 6 AO, 8 DO (8 x Relay 6 A)
LIOB-553	LIOB-BIP I/O Module: 6 UI, 6 AO, 5 DO (4 x Relay 16 A, 1 x Relay 6 A)
LIOB-554	LIOB-BIP I/O Module: 7 UI, 4 AO, 7 DO (5 x Relay 6 A, 2 x Triac 1 A), 1 Pressure Sensor
LPOW-2415B	Power supply unit with power connector 24 VDC, 15 W
L-MBUS20	M-Bus level converter for 20 M-Bus devices
L-MBUS80	M-Bus level converter for 80 M-Bus devices