

- ✓ BACnet  
CEA-709  
KNX

- ✓ Modbus
- ✓ M-Bus
- ✓ OPC

# LINX-200, LINX-201

Datasheet #89015905



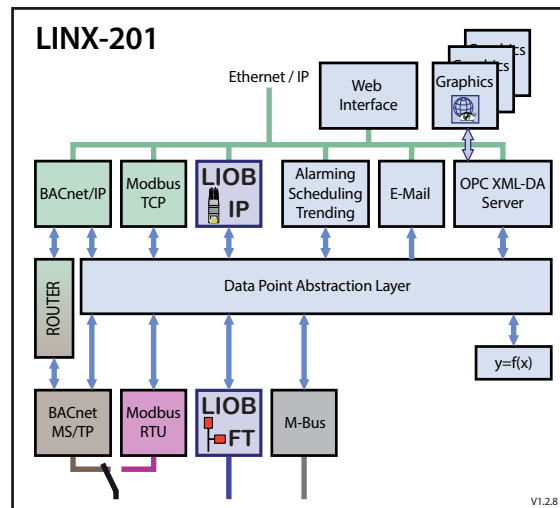
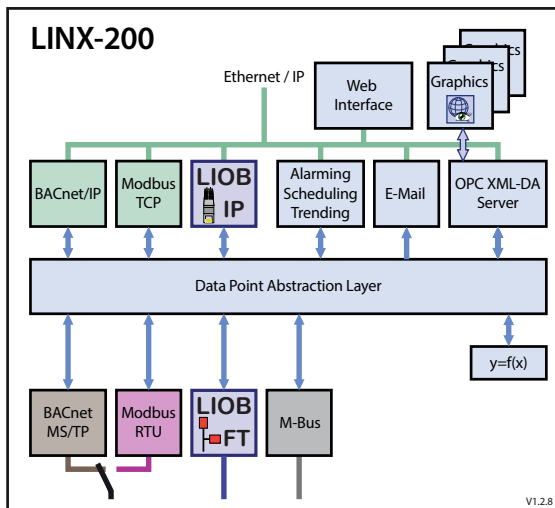
The L-INOX Automation Servers LINX-200 and LINX-201 can host user specific graphical pages and can integrate physical I/Os through L-IOB I/O Modules via LIOB-FT or LIOB-IP.

The Automation Servers provide connectivity functions to concurrently integrate BACnet, Modbus, and M-Bus subsystems. BACnet integration is supported through BACnet/IP (Ethernet/IP) or BACnet MS/TP (RS-485). LINX-201 Automation Servers feature a built-in BACnet/IP to MS/TP router including BBMD as well as Slave-Proxy functionality providing the complete feature set of the corresponding L-IP device.

Both LINX-200 and LINX-201 implement the BACnet Building Controller (B-BC) profile and are BTL tested and WSPcert certified. In addition, the L-INOX Automation Servers provide connectivity to Modbus TCP via Ethernet/IP and to Modbus RTU via RS-485. M-Bus device integration needs an optional interface module.

The gateway functionality allows data communication between all communication technologies available on the device. Different technology data points are mapped through Local Connections on the device. The mapping of different technology data points on distributed devices is supported by Global Connections. L-INOX Automation Servers also support Smart Auto-Connect™ – the automatic generation of connections to substantially reduce engineering efforts and cost. All technology data points are automatically created as OPC XML-DA data points.

The L-INOX devices provide fully featured AST™ functionality (Alarming, Scheduling, and Trending) and can be integrated perfectly into the L-WEB System.



## Features

- System visualization via LWEB-802/803
- Stores customized graphical pages
- Extension with physical inputs and outputs using L-IOB I/O Modules (LIOB-FT or LIOB-BIP)
- Built-in OPC XML-DA server
- Alarming, Scheduling, and Trending (AST™)
- Event-driven e-mail notification
- Compliant with ANSI/ASHRAE-135-2008 and ISO 16484-5 standard
- Supports BACnet MS/TP or BACnet/IP
- BACnet Client Function (Write Property, Read Property, COV Subscription)
- BACnet Client Configuration with configuration tool (scan and EDE import)
- B-BC (BACnet Building Controller) functionality, BTL certified
- Integrated BACnet/IP to BACnet MS/TP Router including BBMD as well as Slave-Proxy functionality (LINX-201 only)
- M-Bus Master according to EN 13757-3, connection via optional M-Bus Converter (L-MBUS20 or L-MBUS80)
- Modbus TCP and Modbus RTU (Master or Slave)
- Gateway functions including Smart Auto-Connect™

## L-INX Automation Server

## LINX-200, LINX-201

- Math objects to execute mathematical operations on data points
- Access to network statistics
- Integrated web server for device configuration and monitoring data points
- Configurable via Ethernet/IP

## Specifications

Dimensions (mm)	107 x 100 x 60 (L x W x H), DIM009
Installation	DIN rail mounting following DIN 43880, top hat rail EN 50022
Power supply	12-35 VDC / 12-24 VAC $\pm$ 10 %, typ. 3 W
Operating conditions	0 °C to 50 °C, 10–90 % RH @ 50 °C, non condensing, degree of protection: IP40, IP20 (terminals)
Interfaces	1 x Ethernet (100Base-T) OPC XML-DA LIOB-IP BACnet/IP* Modbus TCP (Master or Slave) HTTP, FTP 1 x RS-485 (ANSI TIA/EIA-485) BACnet MS/TP* or Modbus RTU (Master or Slave) 1 x M-Bus (Master EN 13757-3) 1 x RS-232 (EIA-232) 1 x LIOB-FT  <i>LINX-200: * Either BACnet/IP or BACnet MS/TP</i> <i>LINX-201: * Router between BACnet/IP and BACnet MS/TP</i>
L-IOB I/O Modules	Up to 8 L-IOB I/O Modules in any combination of type LIOB-FT and LIOB-BIP
BACnet/IP Router	1 (LINX-201 only)
Tools	L-INX/L-GATE Configurator

## Resource limits

Total number of data points	10 000	E-mail templates	100
OPC XML-DA data points	2 000	Math objects	100
BACnet objects	750 (analog, binary, multi-state)	Alarm logs	10
BACnet client mappings	750	M-Bus data points	1 000
BACnet calendar objects	25	Modbus data points	2 000
BACnet scheduler objects	100 (64 data points per object)	Connections (Local / Global)	1 000 / 250
BACnet notification classes	32	Number of L-WEB clients	15 (simultaneously)
Trend logs (BACnet or generic)	256 (390 000 entries, $\approx$ 6 MB)	L-IOB I/O Modules	8 (LIOB-FT or LIOB-BIP)
Total trended data points	256		

## Order number Product description

LINX-200	BACnet Automation Server, B-BC
LINX-201	BACnet Automation Server, B-BC, and built-in BACnet/IP to MS/TP Router
LIOB-150	LIOB-FT I/O Module: 8 UI, 2 DI, 2 AO, 8 DO (4 x Relay 6 A, 4 x Triac 1 A)
LIOB-151	LIOB-FT I/O Module: 8 UI, 12 DI
LIOB-152	LIOB-FT I/O Module: 6 UI, 6 AO, 8 DO (8 x Relay 6 A)
LIOB-153	LIOB-FT I/O Module: 6 UI, 6 AO, 5 DO (4 x Relay 16 A, 1 x Relay 6 A)
LIOB-154	LIOB-FT I/O Module: 7 UI, 4 AO, 7 DO (5 x Relay 6 A, 2 x Triac 1 A), 1 Pressure Sensor
LIOB-550	LIOB-BIP I/O Module: 8 UI, 2 DI, 2 AO, 8 DO (4 x Relay 6 A, 4 x Triac 1 A)
LIOB-551	LIOB-BIP I/O Module: 8 UI, 12 DI
LIOB-552	LIOB-BIP I/O Module: 6 UI, 6 AO, 8 DO (8 x Relay 6 A)
LIOB-553	LIOB-BIP I/O Module: 6 UI, 6 AO, 5 DO (4 x Relay 16 A, 1 x Relay 6 A)
LIOB-554	LIOB-BIP I/O Module: 7 UI, 4 AO, 7 DO (5 x Relay 6 A, 2 x Triac 1 A), 1 Pressure Sensor
LPOW-2415B	Power supply unit with power connector 24 VDC, 15 W
L-MBUS20	M-Bus level converter for 20 M-Bus devices
L-MBUS80	M-Bus level converter for 80 M-Bus devices